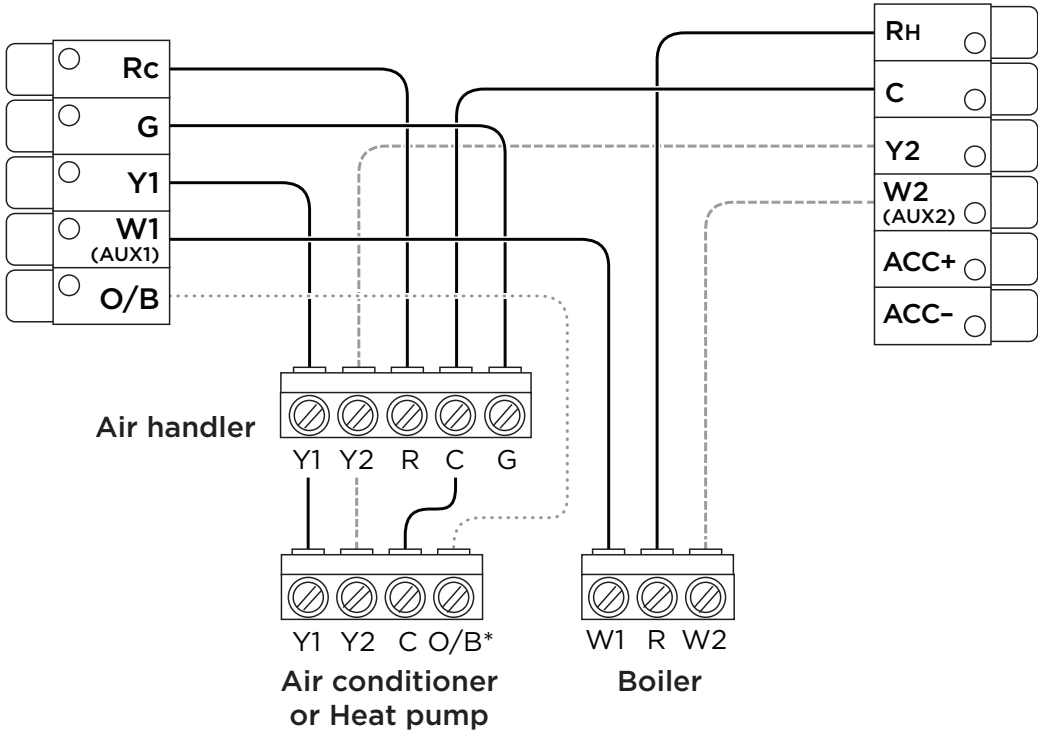


Boiler or radiant system with air handler and conventional cooling or heat pump



----- Stage 2 heat and cool if applicable

..... *Reversing valve for heat pumps only

Note: Do not jumper Rc or Rh, ecobee3 does this automatically. R can go into either Rc or Rh terminals on your ecobee3.