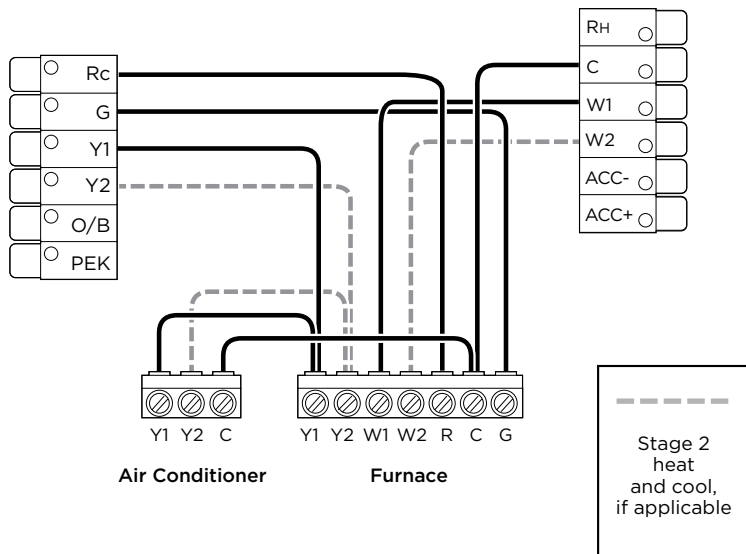


## WIRING DIAGRAM

Conventional heating and cooling  
(up to 2 stages each).



**NOTE** Do not connect any jumper wires between Rc and Rh. ecobee does this automatically. The R wire needs to go into the Rc terminal on your ecobee.