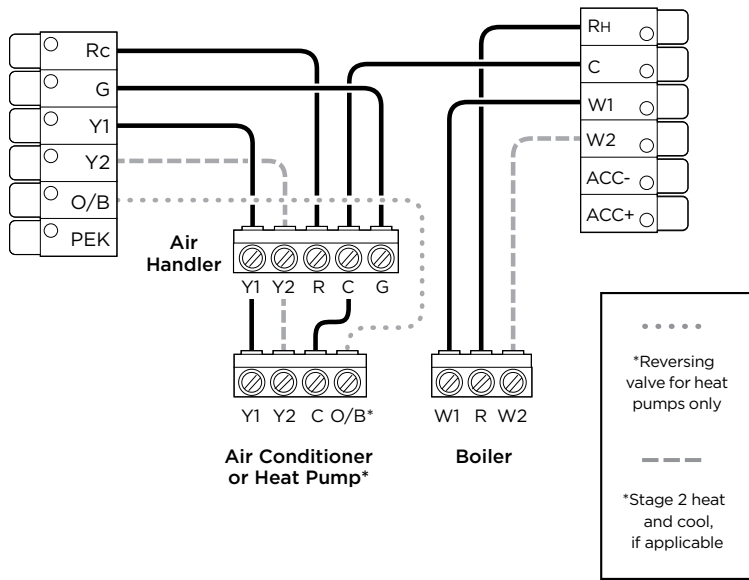


WIRING DIAGRAM

Boiler or radiant system with air handler and conventional cooling or heating.



NOTE Do not connect any jumper wires between Rc and Rh. ecobee does this automatically. The R wire needs to go into the Rc terminal on your ecobee.